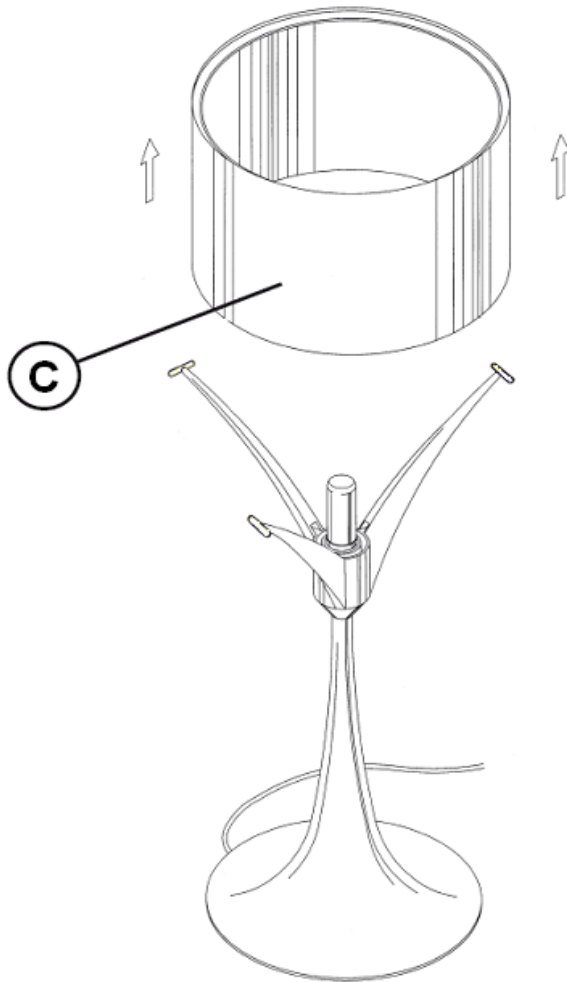


**11695**

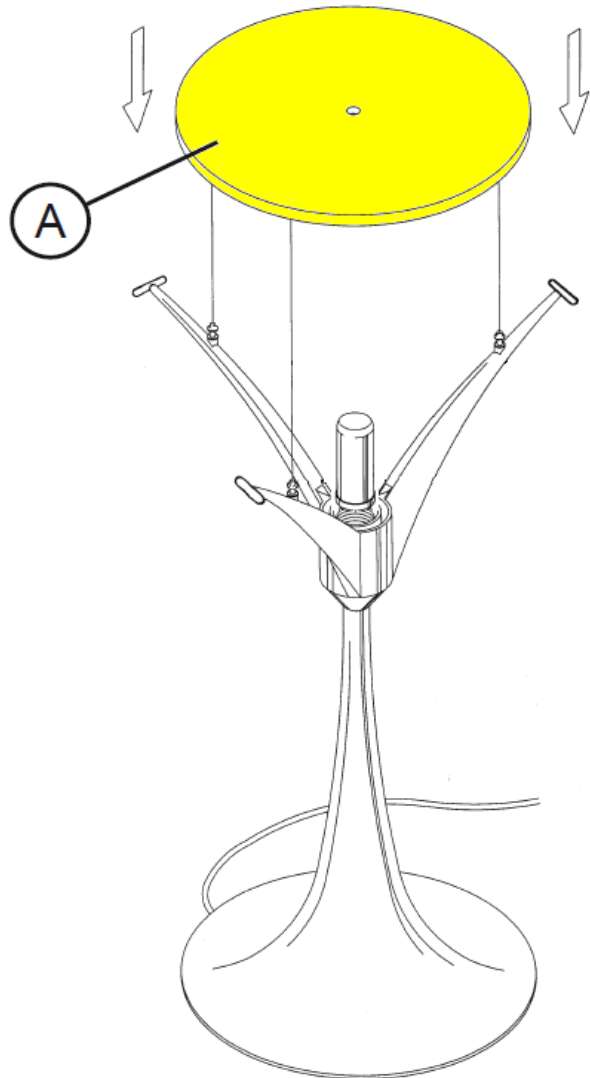
T1 ANTI-GLARE GLASS



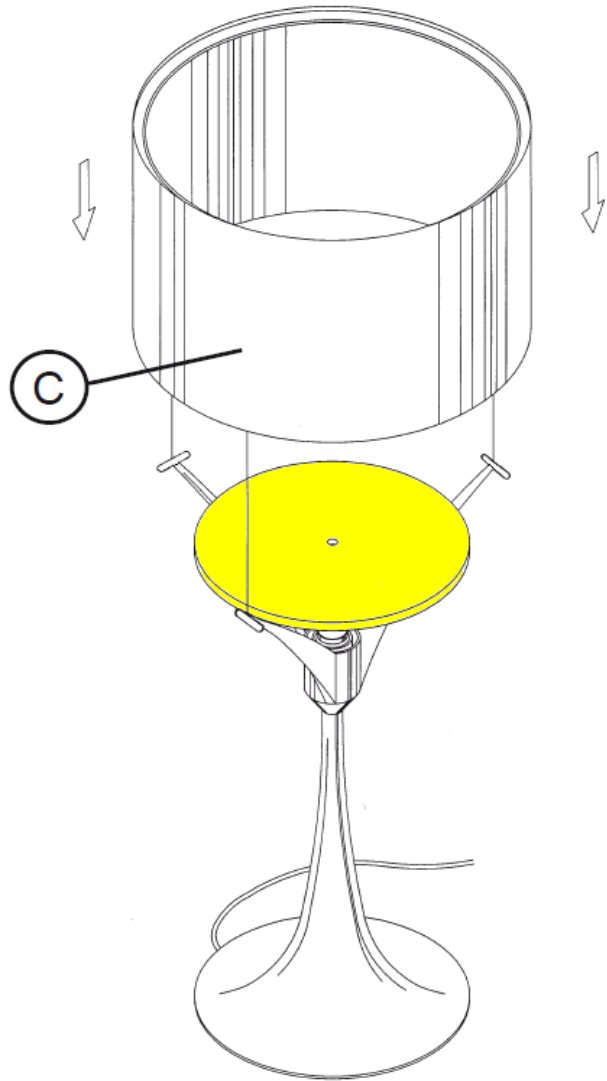
**WARNING!** When installing and whenever acting on the appliance, ensure that the power supply has been switched off.  
For the installation of the spare-part, it is necessary to consult a qualified electrician.



Remove delicately the diffuser (C) from the lamp body.



Place the anti-glare glass (A) on the supports, ensuring that the pins correspond with the seats present on the anti-glare glass.



Place the diffuser (C) on the lamp body.