

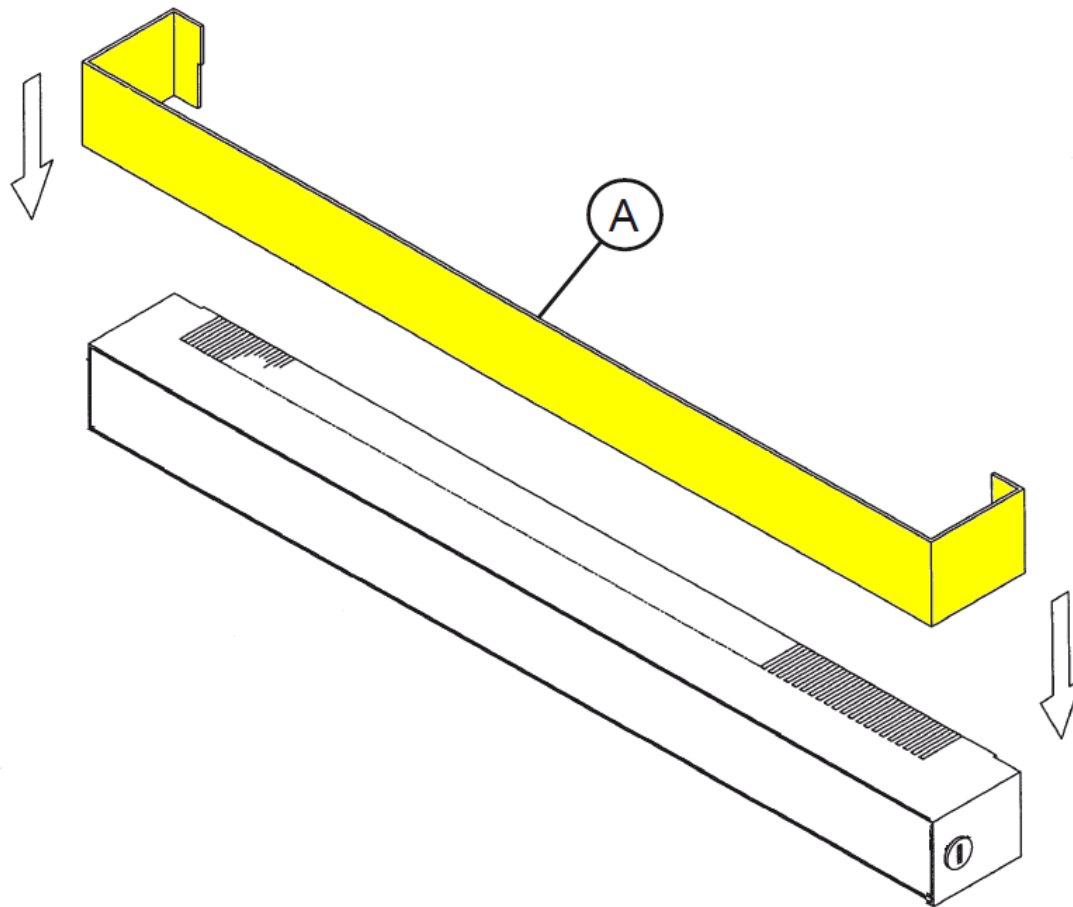
---

## CLOSED DECORATIVE COVER



**WARNING!** When installing and whenever acting on the appliance, ensure that the power supply has been switched off.

For the installation of the spare-part, it is necessary to consult a qualified electrician.



Install the All closed diffuser cover (A) by sliding it on the lamp.