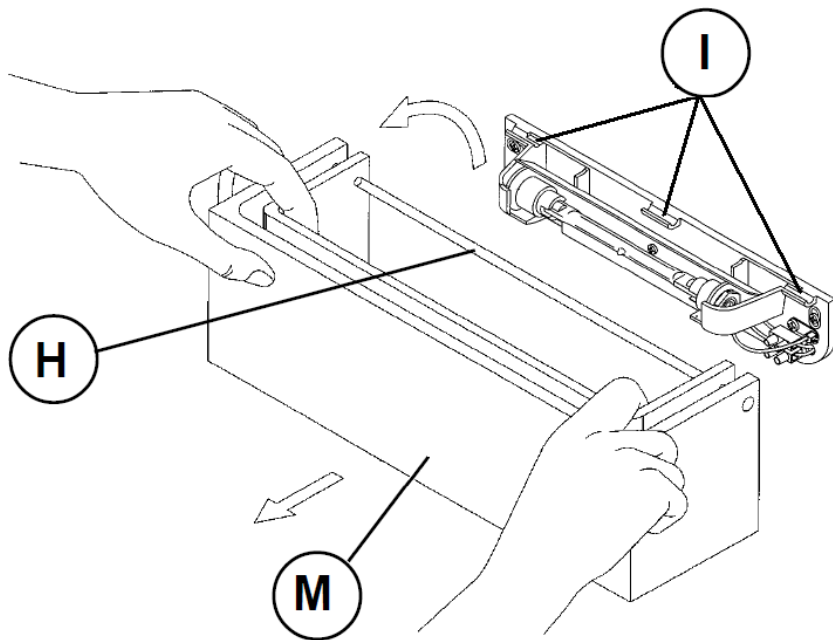

11376

CURVED SANDED PROTECTION GLASS

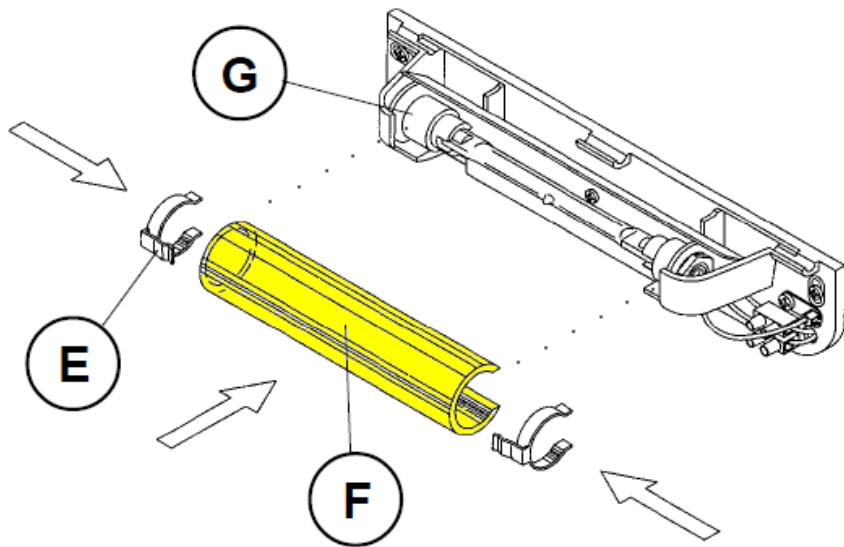


WARNING! When installing and whenever acting on the appliance, ensure that the power supply has been switched off.

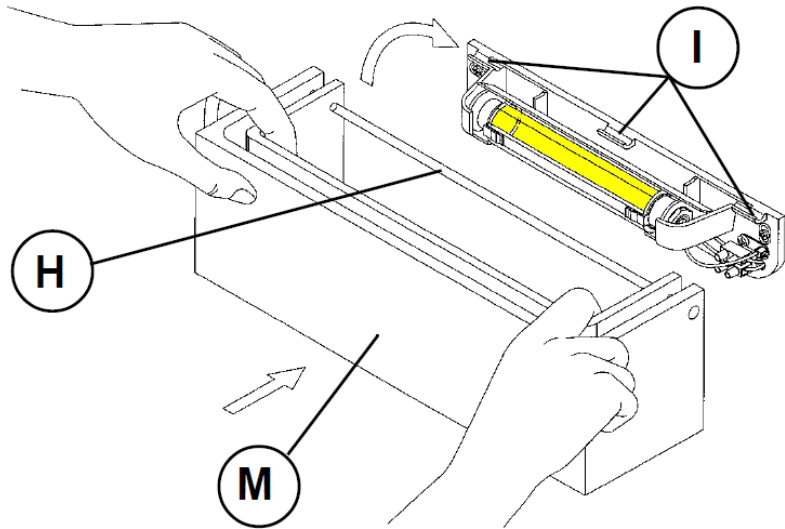
For the installation of the spare-part, it is necessary to consult a qualified electrician.



Remove the glass diffuser assembly (M) by unhooking the rod (H) from the seats (I).



Collocate the spring clips (E) to the protection glass (F) and clip them on the lamp holder (G).



Collocate the diffuser assembly (M) on the wall attachment by resting the rod (H) in the appropriate seats (I). Centre (balance) the internal white glass diffuser with the external transparent glass diffuser on the seats (I).

