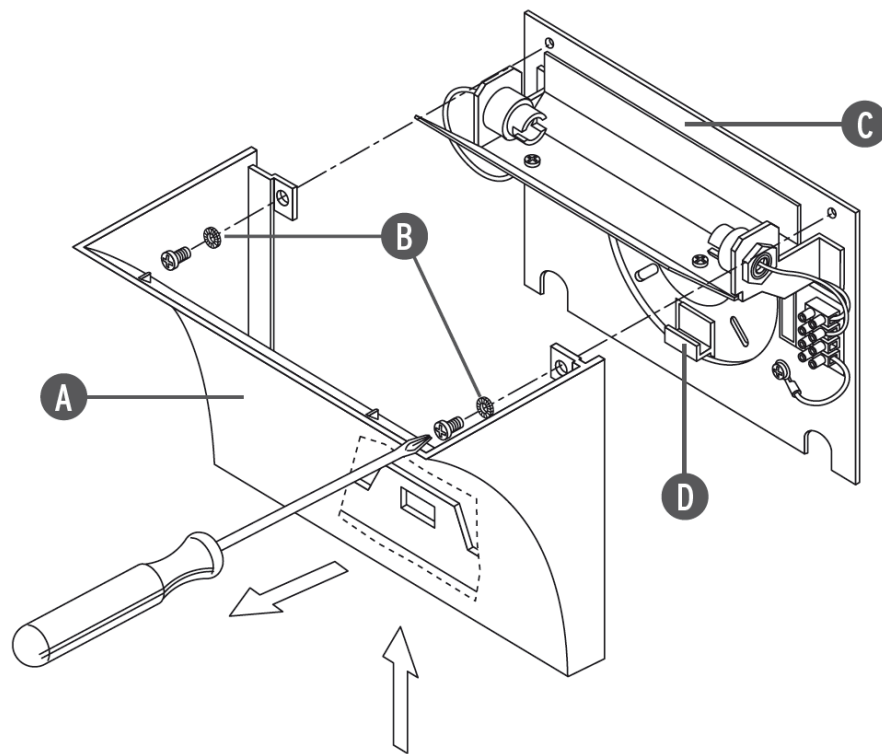

11350

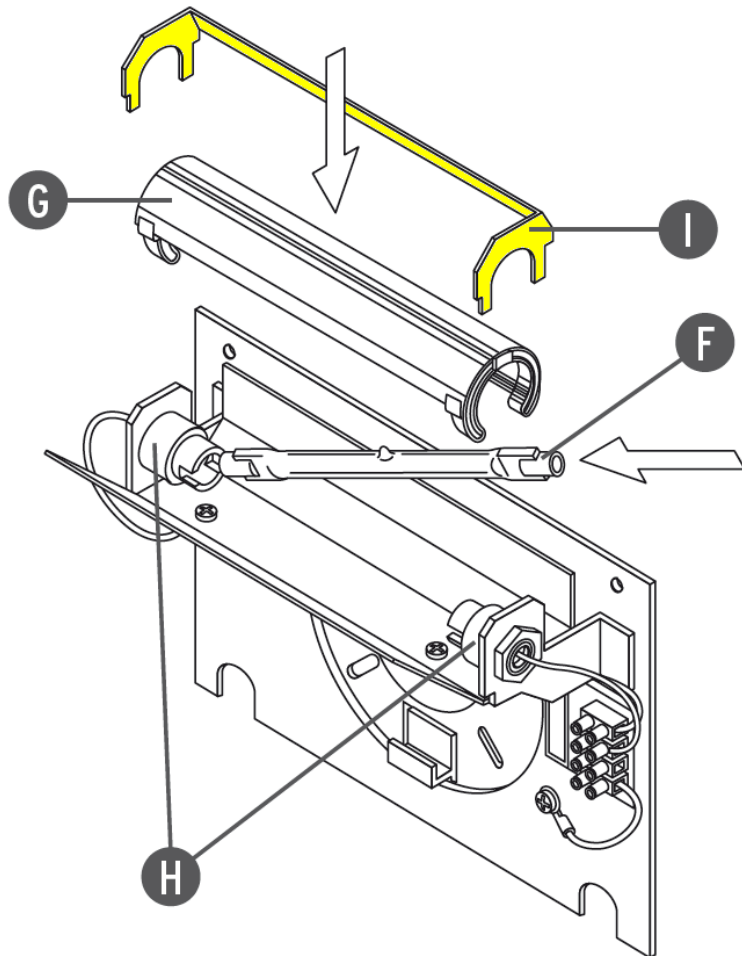
RAW PROTECTION REFLECTOR



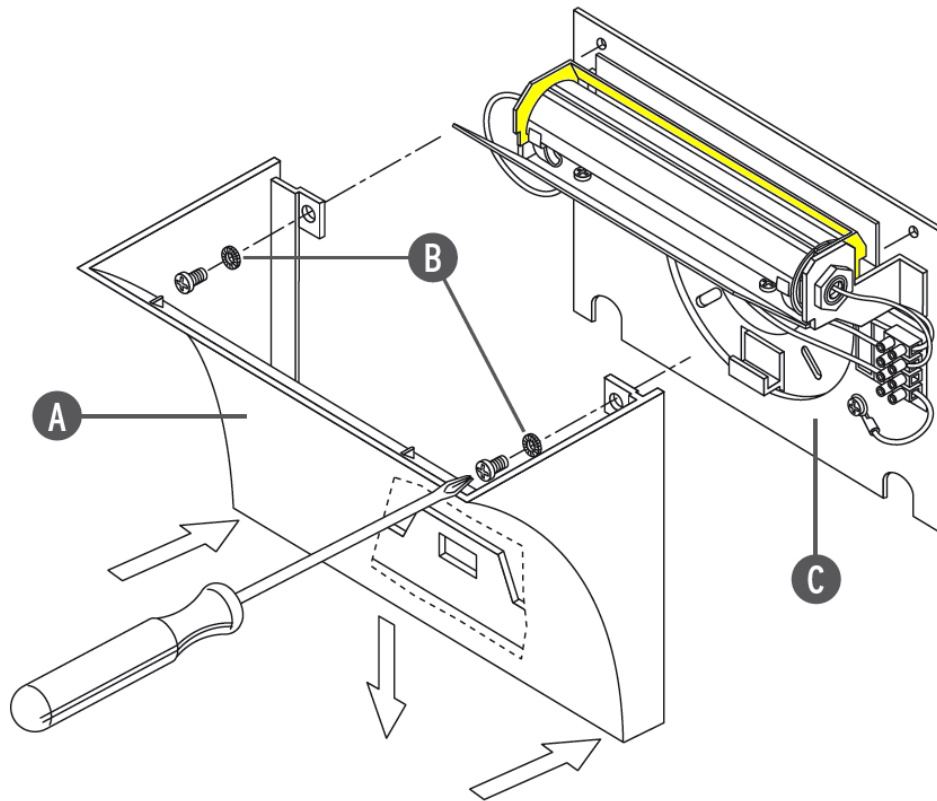
WARNING! When installing and whenever acting on the appliance, ensure that the power supply has been switched off. For the installation of the spare-part, it is necessary to consult a qualified electrician.



Remove the main body (A) unscrewing the screws (B), then remove it from the wall attachment (C) sliding it off the hook (D).



Insert the light bulb (F).
Fit the glass protection (G) by gentle pressing on the lamp holder (H), then fit the protection screen (I) ensuring that the reflecting side is on the outside, as indicated in the image on the left hand side.



Install the lamp body (A) onto the wall attachment (C) and fasten the screws (B).