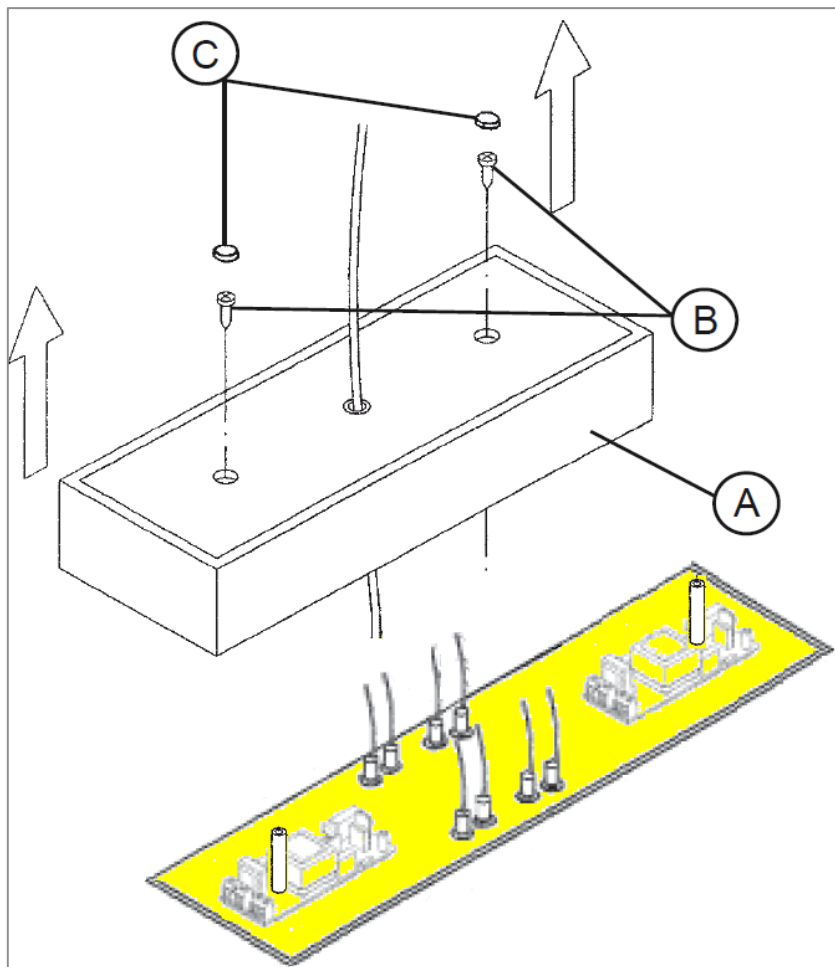

08989

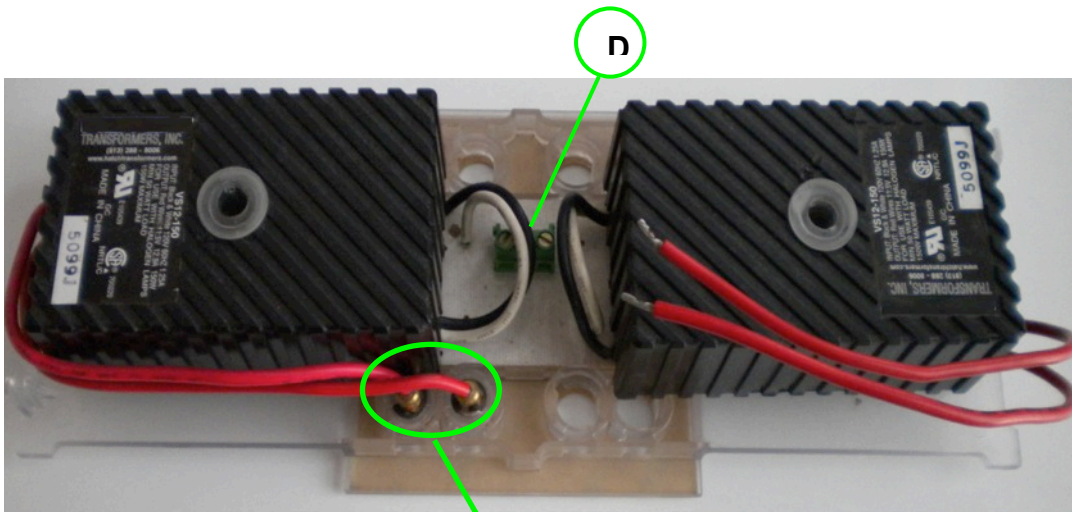
LASTRA 6 TRANSFORMER POWER UNIT



WARNING! When installing and whenever acting on the appliance, ensure that the power supply has been switched off. For the installation of the spare-part, it is necessary to consult a qualified electrician.



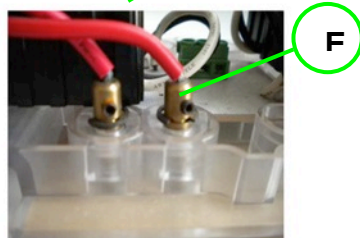
Remove the cover (A) by removing the screw-caps (C) and by unfastening the screws (B).



Disconnect the main power electrical wires present on the terminal boxes (D) of the power unit.

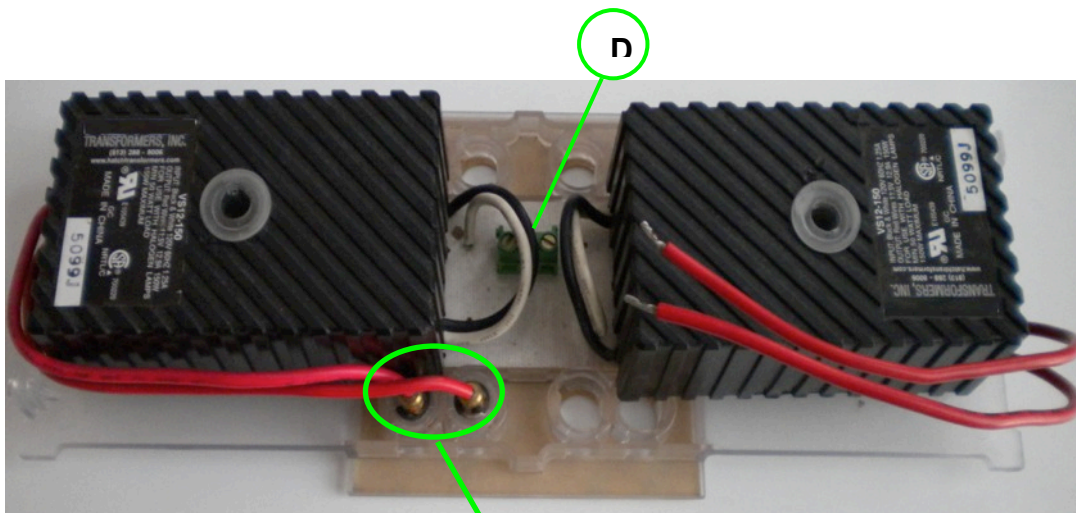
Disconnect the secondary wires from the contacts (E).

Remove the damaged transformer.



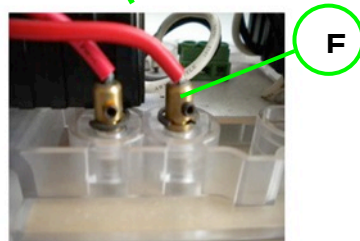


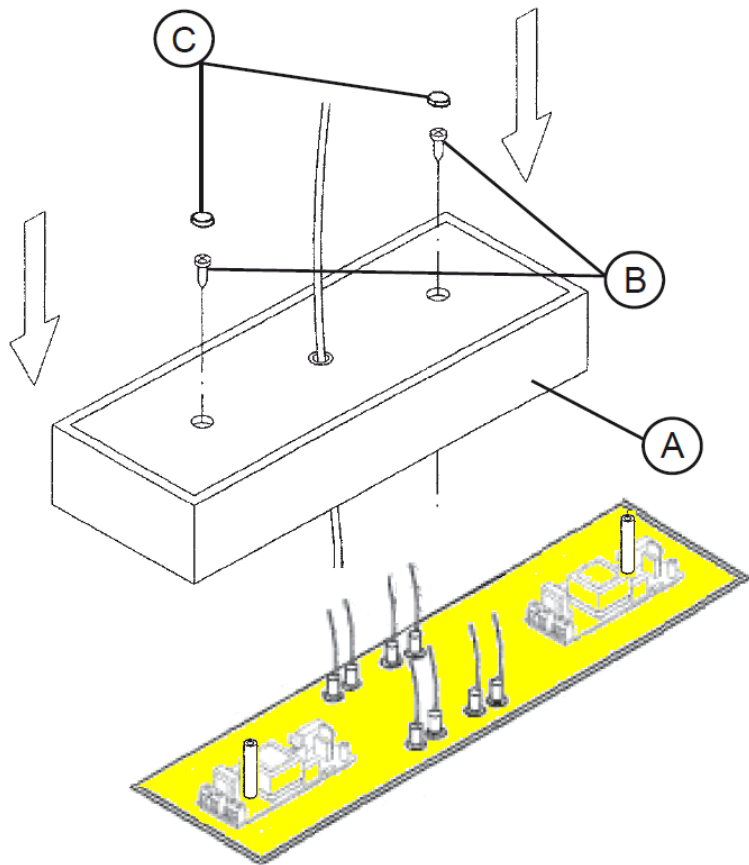
Assemble the new spare part.
(Cut-off the tabs (F) on the transformer)



Connect the secondary wires to the contact (E) and the main wires (primary) to the terminal box.

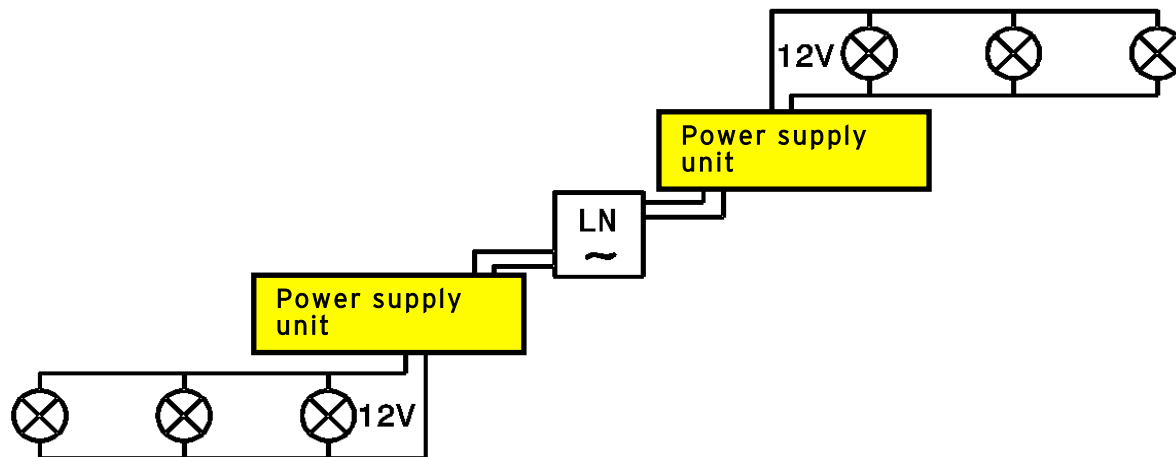
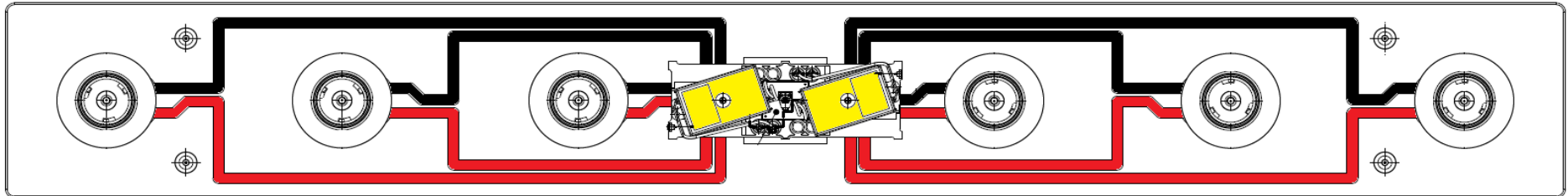
Position the transformer back in his apposite position.





Cover the power unit assembly, by positioning the casing (A) on top, then tighten the two screws (B) and cover the screws with there apposite screw-caps (C).

LASTRA 6 ELECTRICAL CONNECTION



ELECTRONIC TRANSFORMER SPECIFICATION SHEET

Max Watts	Min Watts	Input Volts	Output Volts	Input Amps	Output Amps	Case Style	Safety Listing
150	50	120	11.5	1.25	12.9	1	UL / C-UL Recognized

* Must use a minimum of 50 watts when using a dimmer.

Electronic Low Voltage Transformer:

- High Reliability
- Moisture and Shock Resistant
- Emits No Audible Noise
- Low Harmonic Distortion
- High Power Factor
- Lightweight, Compact Design
- Works with most commercially available dimmers. Hardwire electronic dimmers are recommended for optimum performance

Environmental Specifications

Maximum Case Temperature 80°C

Sound Rating A+

Operating Humidity 95% relative humidity, non-condensating

Environmental Protection Epoxy sealed for moisture resistance and shock vibration resistance

Electrical/Mechanical Specifications

Input120 V 50/60 Hz

Enclosure Material (UL) Flame Retardant, High Temperature, Engineering Resin

ColorBlack

Weight5 oz.

Power Factor> 0.95

Operating Frequency25 KHz

Total Harmonic Distortion≤ 20%

Safety Standard C **UL** US

Input Leads6", 18AWG stranded, 105 degree C stripped 3/8" tinned

Output Leads6", 18AWG stranded, 105 degree C stripped 3/8" tinned

