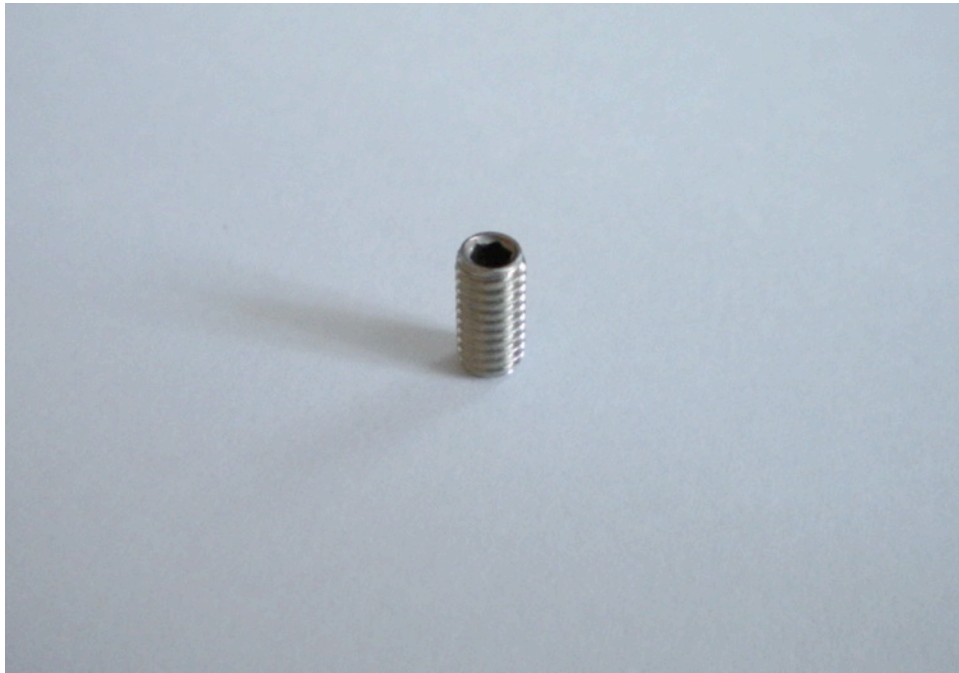


M4 SCREW



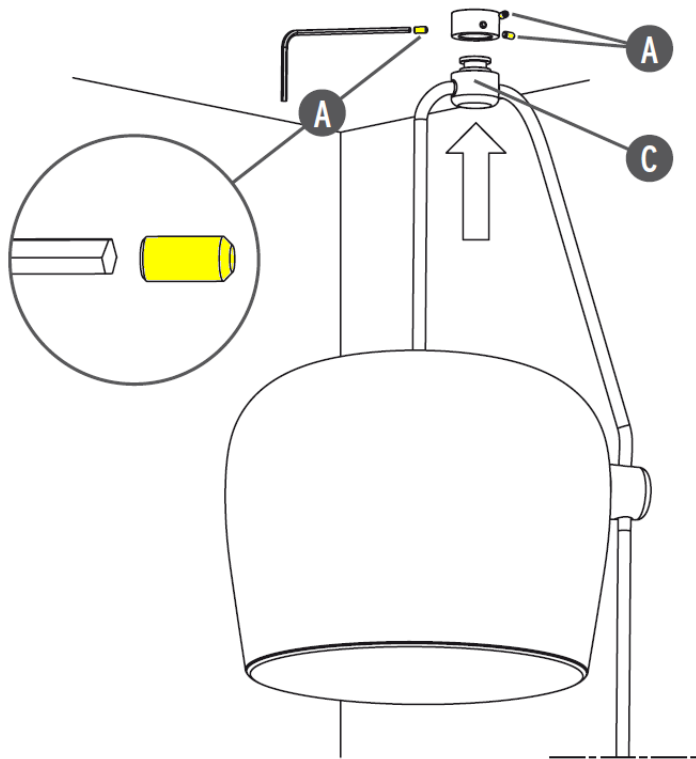
06749



06750

WARNING! When installing and whenever acting on the appliance, ensure that the power supply has been switched off.

For the installation of the ballast it is necessary to consult a qualified electrician.



Assemble the cable gland (C) to the ceiling attachment (B) and lock it with the 3 screws (A).