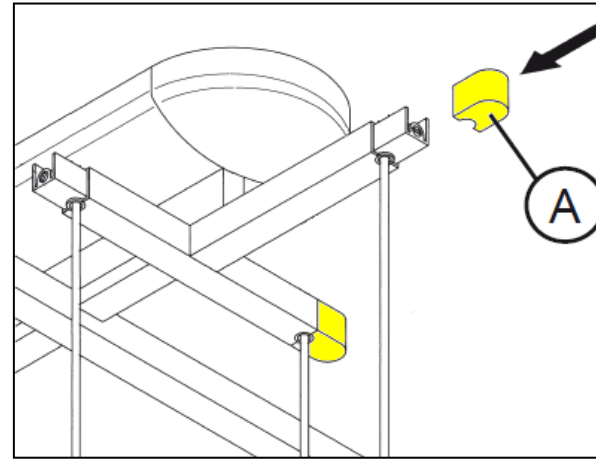
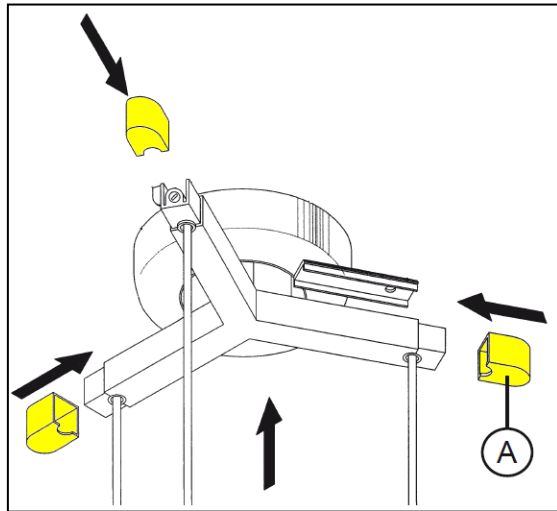

05975

WHITE COVER 3/8/12





WARNING! When installing and whenever acting on the appliance, ensure that the power supply has been switched off.

For the installation of the spare-part, it is necessary to consult a qualified electrician.

Insert the lateral white covers (A) on the Fucsia channel arms.