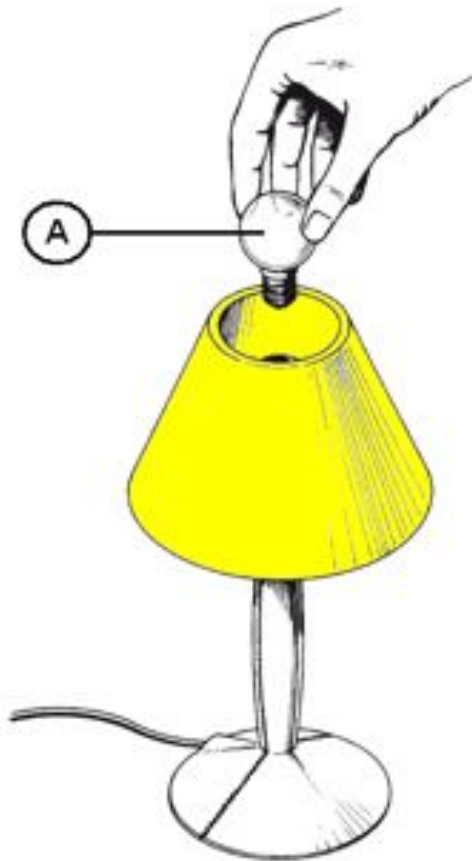

DIFFUSER

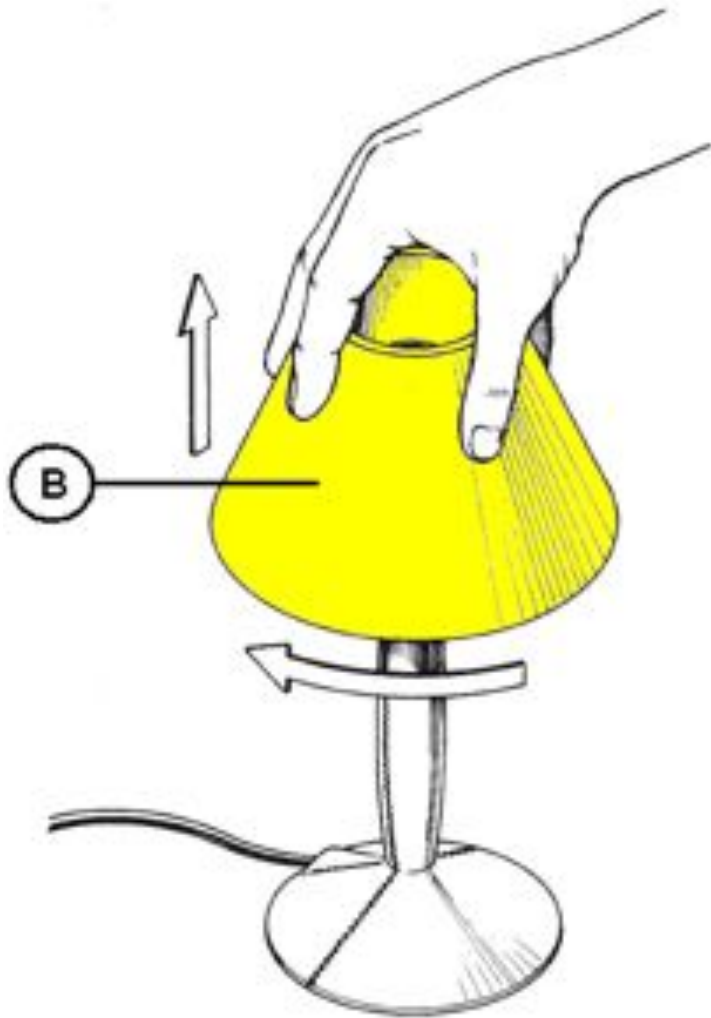


WARNING! When installing and whenever acting on the appliance, ensure that the power supply has been switched off.

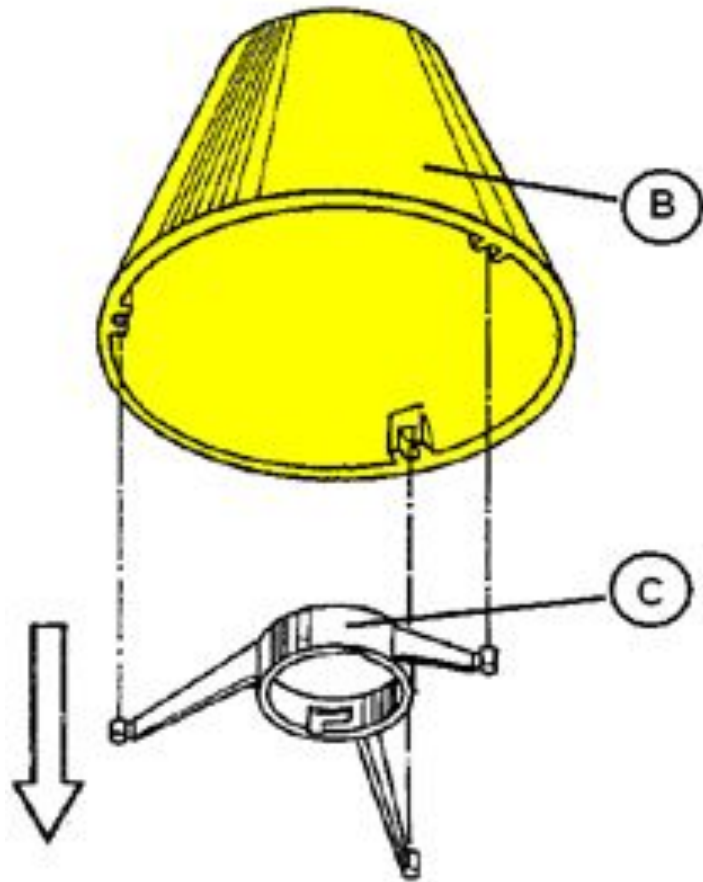
For the installation of the spare-part, it is necessary to consult a qualified electrician.



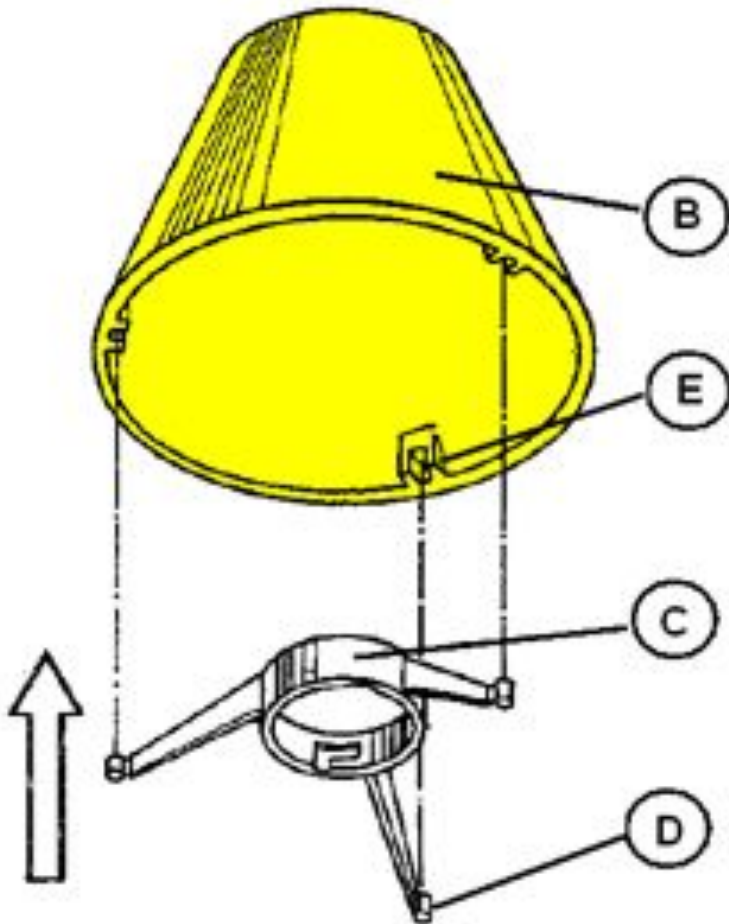
Remove the lamp-bulb (A) from the lamp.



Unlock and remove the damaged diffuser (B) from the lamp body.

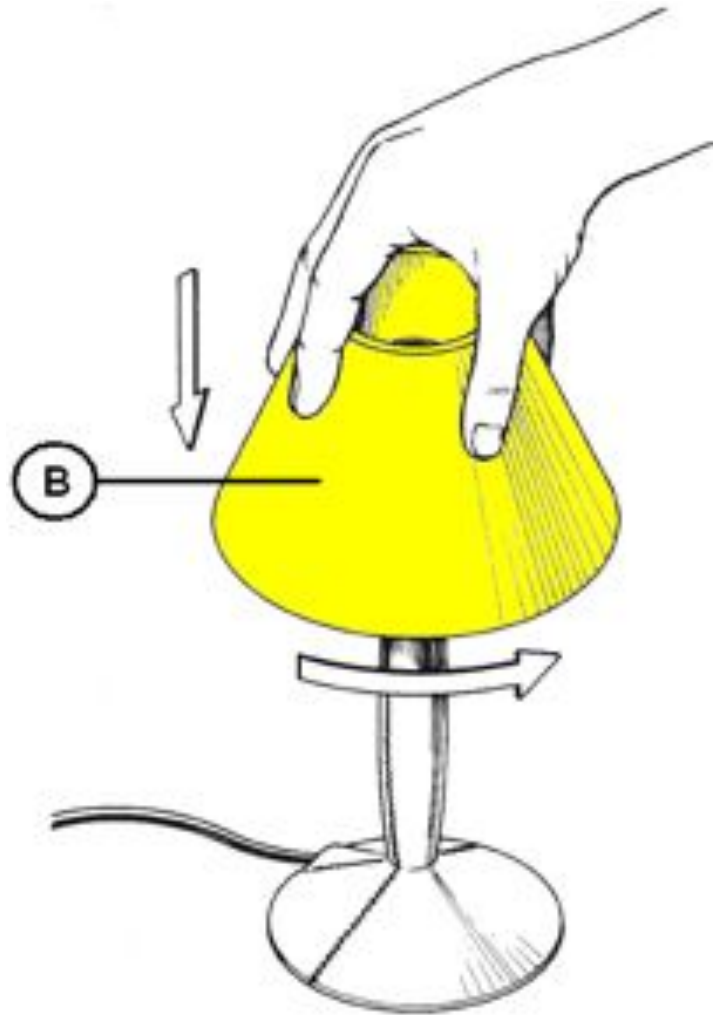


Remove the support (C) from the diffuser (B) that needs to be replaced.

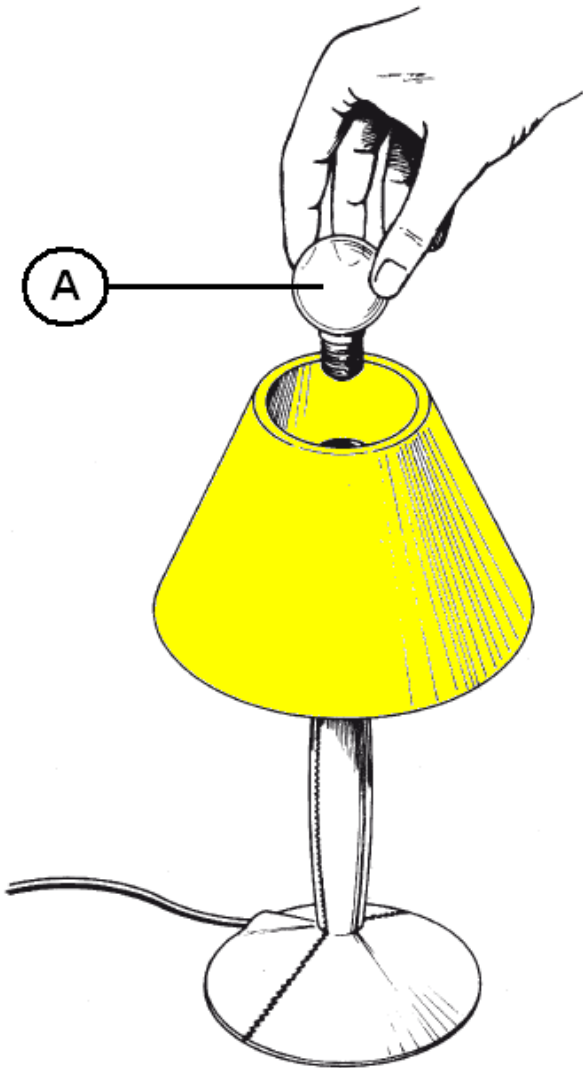


Assemble now the new spare-part:

Assemble the support (C) to the diffuser (B) by locking the hooks (D) in correspondence of the openings (E) present on the diffuser (B).



Assemble the diffuser (B) on the lamp body.



Install the lamp bulb (A) respecting the lamp technical characteristic present on the product identification label.