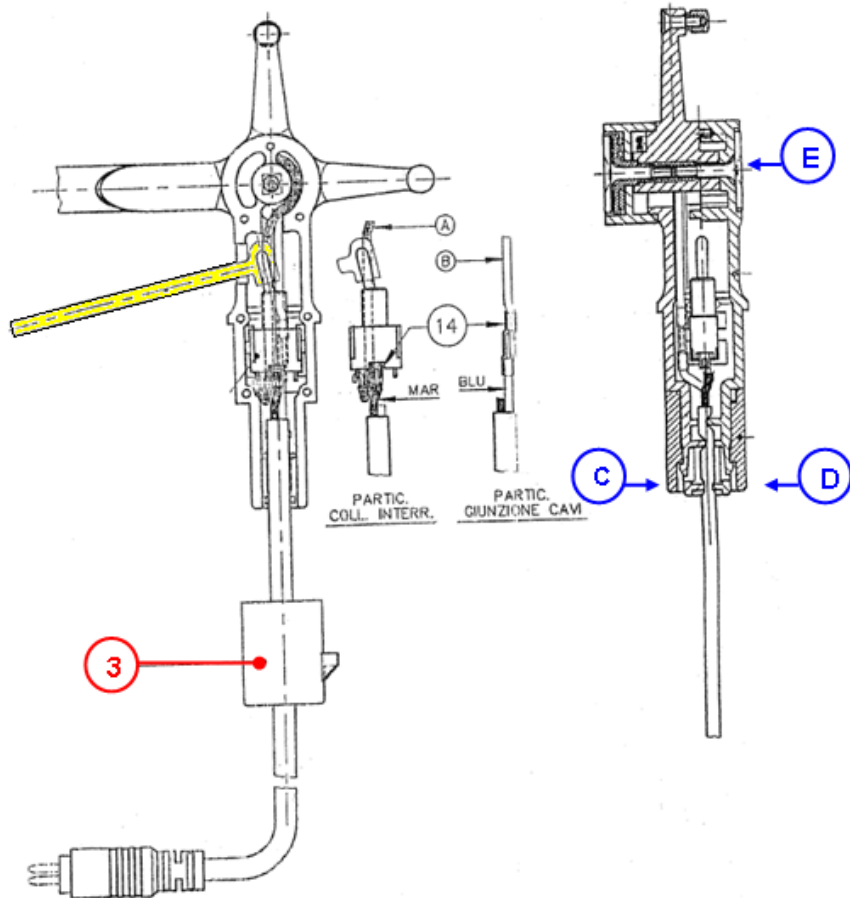


05347

LEVER SWITCH



WARNING! When installing and whenever acting on the appliance, ensure that the power supply has been switched off.
For the installation of the spare-part, it is necessary to consult a qualified electrician.



Carry-out the following procedures:

- Remove the body lamp from the base;
- Fit inside with a thin screwdriver in the (C) and (D) position in order to unlock and remove the cable lock ring (refer to point 3 in the image);
- Unscrew the big side screw (E), then remove the right lower semi joint and replace the lever (necessary to pay attention for the position of the switch as well as for the position of the cables which need to be kept in the suitable housing);
- Reassemble the right semi joint with the relevant screw in the appropriate way;
- Locate a sufficient quantity of glue which needs to be fitted inside the cable lock ring because it must be locked in the correct position for the lamp base assembly.