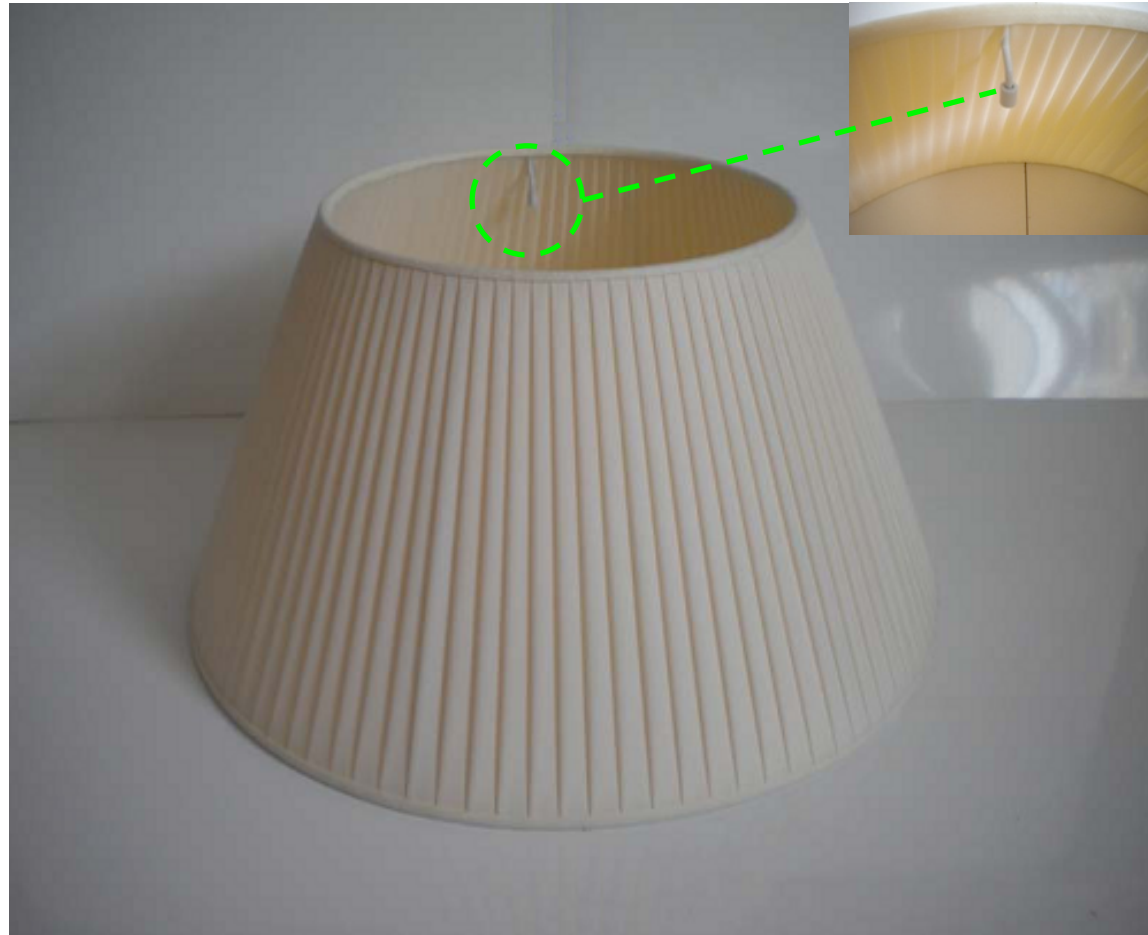
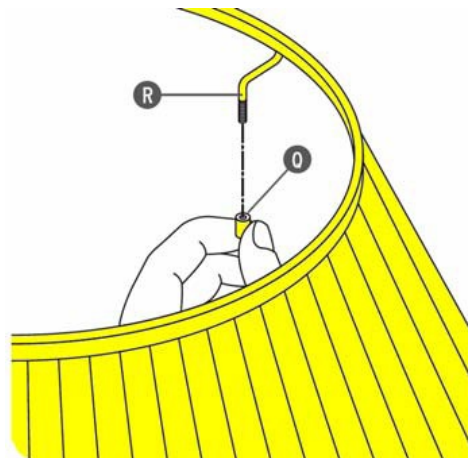

05274

FABRIC EXTERNAL DIFFUSER



WARNING! When installing and whenever acting on the appliance, ensure that the power supply has been switched off. For the installation of the spare-part, it is necessary to consult a qualified electrician.



Position the fabric lamp shade (N) on the support ring (D) ensuring to insert the hook threaded screws (R) into the apposite holes present in the support ring (D), fasten the small bolts (Q).

Collocate the silicone seats in there apposite holes underneath the cover ring (O).
Rest the covering ring (O) on the pins (G).

