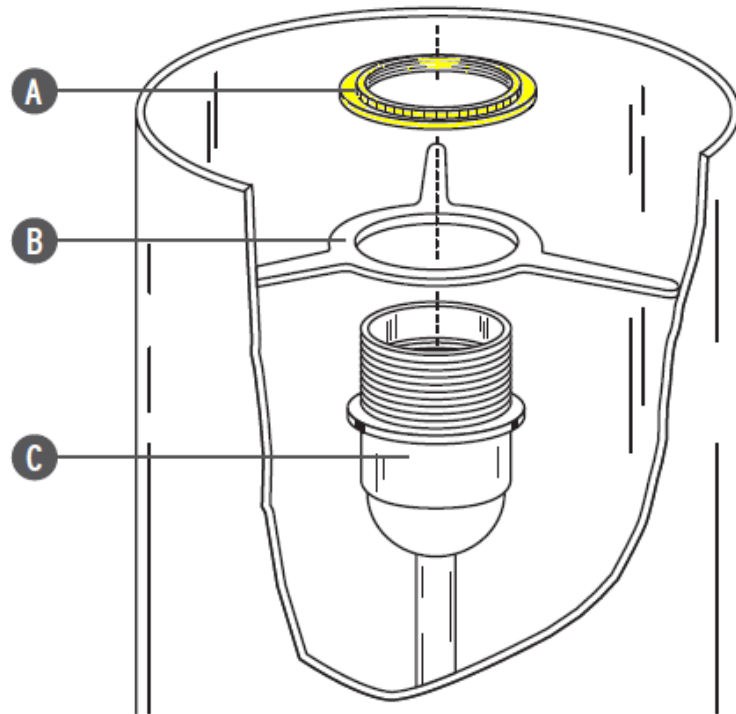

04424

RING NUT



WARNING! When installing and whenever acting on the appliance, ensure that the power supply has been switched off.
For the installation of the spare part, it is necessary to consult a qualified electrician.



Collocate the spacer (B) onto the upper lampholder (C) and fasten the ring nut (A).
Install the bulb.