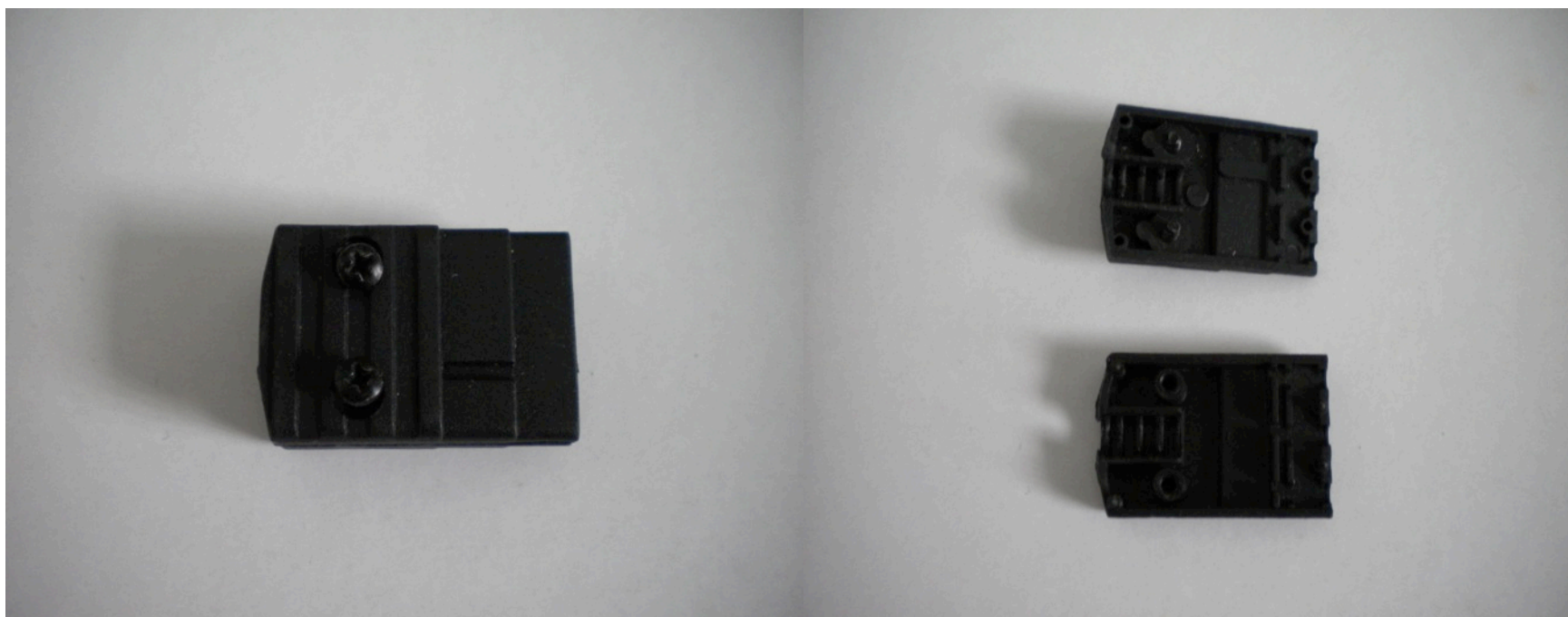


---

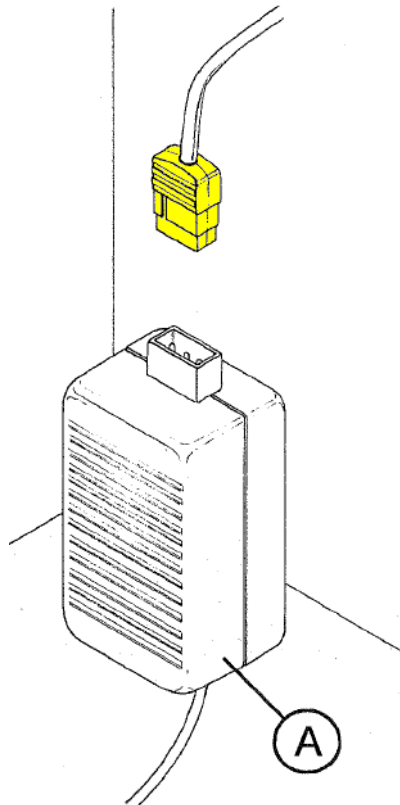
**03715**

BLACK PLUG



---

**WARNING!** When installing and whenever acting on the appliance, ensure that the power supply has been switched off.  
For the installation of the spare-part, it is necessary to consult a qualified electrician.



Connect the 12V wires to the black plug and then insert the plug inside the transformer.