

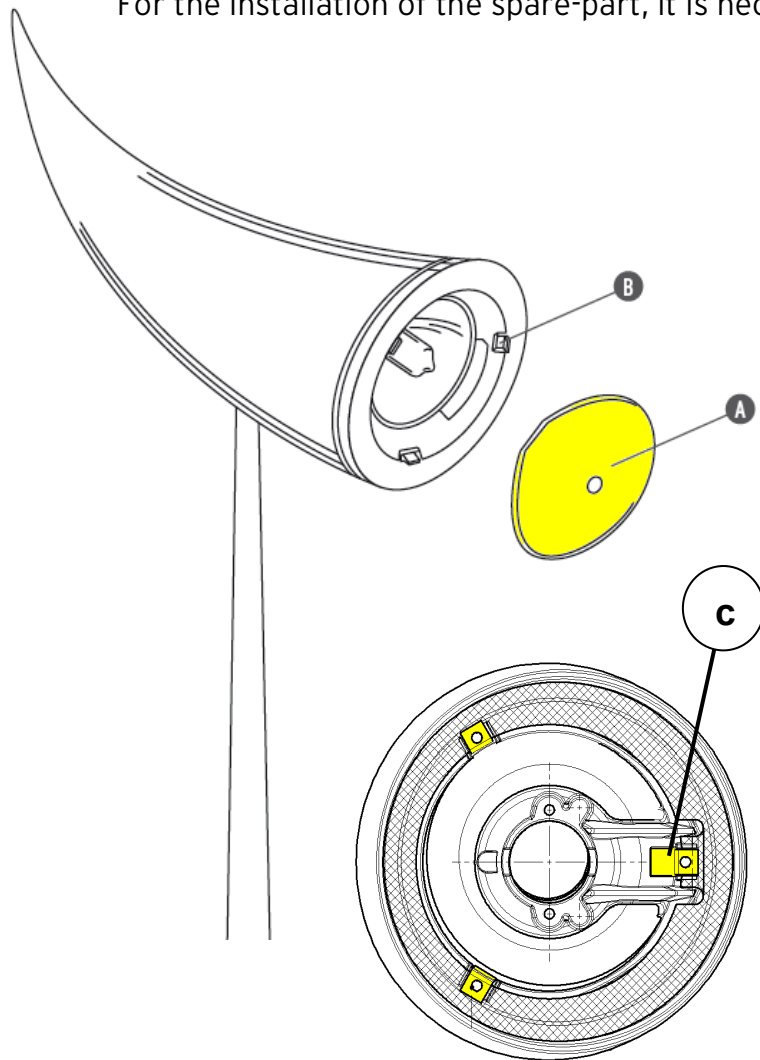
---

**03337**

PROTECTION GLASS



**WARNING!** When installing and whenever acting on the appliance, ensure that the power supply has been switched off.  
For the installation of the spare-part, it is necessary to consult a qualified electrician.



Insert the glass protection (A) inside the spings (B).

N:B If the protection glass moves, it is necessary to remove the protection glass, lift-up delicately the 3 springs (C) on the reflector and then try re-install the protection glass.