
03162

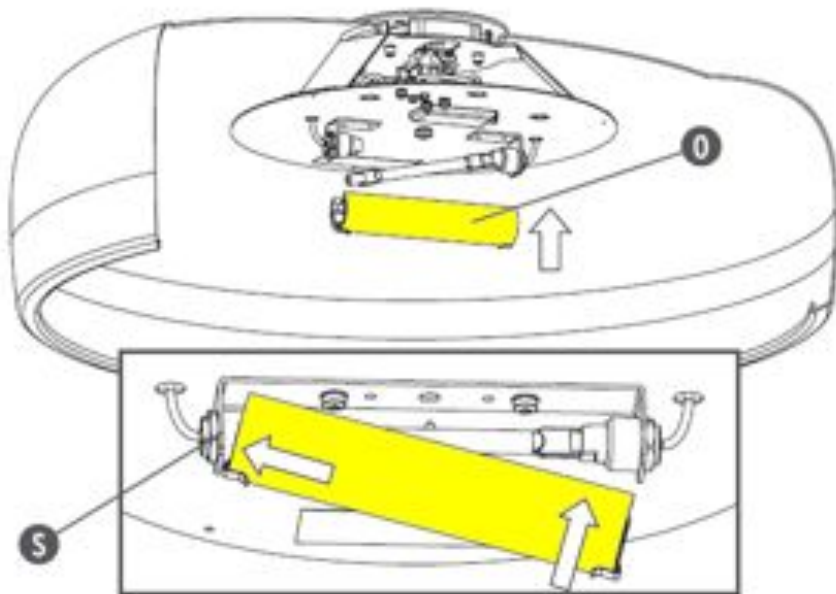
PIREX PROTECTION GLASS



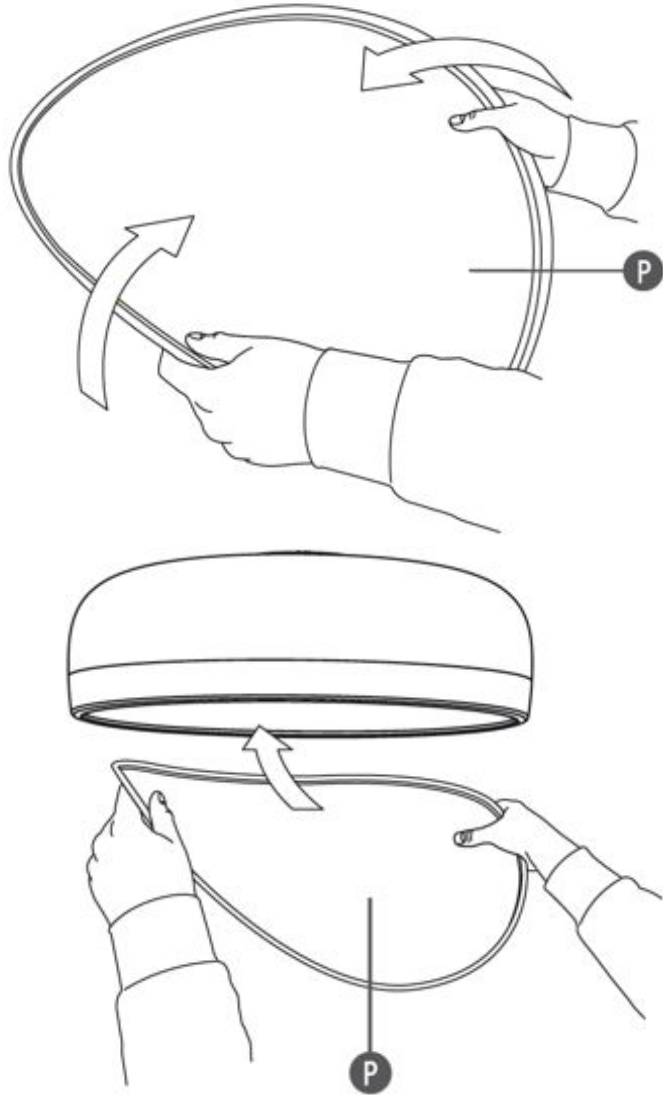
FLOS U.S.A., Inc. 110 York Street, 5th Floor, Brooklyn, NY 11201 | Tel: 718-875-3472 | Email: e-shop@flosusa.com | <http://usa.flos.com>

WARNING! When installing and whenever acting on the appliance, ensure that the power supply has been switched off.

For the installation of the spare-part, it is necessary to consult a qualified electrician.



Insert the lamp-bulb into the lamp holder, install the protection glass by inserting on one of the ends of the lamp holder, the clips (S).
Once installed, collocate the glass protection in between the two clips (S).



Assemble the plastic diffuser (P) bending it slightly on the sides to ease it into the body.