

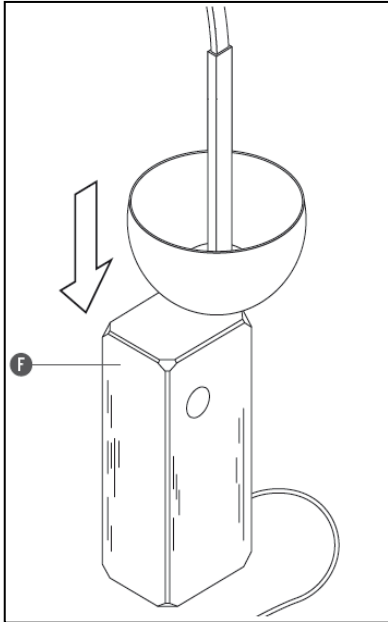
---

**02971**

## MEDIUM INOX CHANNEL

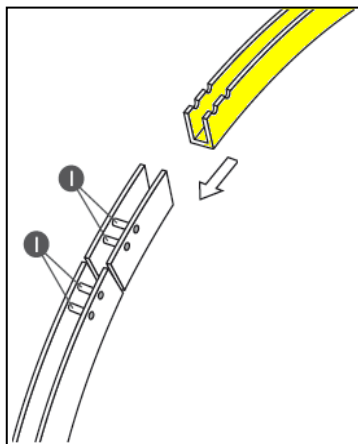


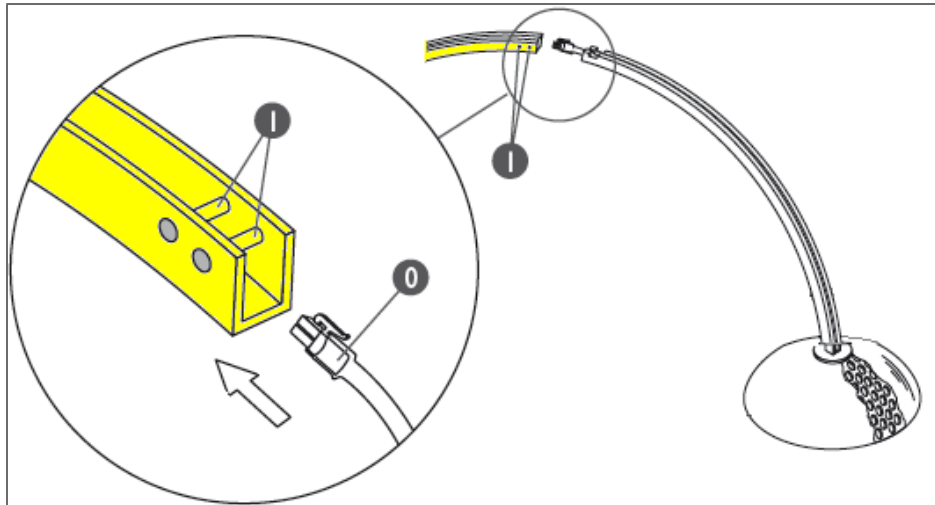
## ARCO LED (DOES NOT APPLY TO ARCO HALOGEN)



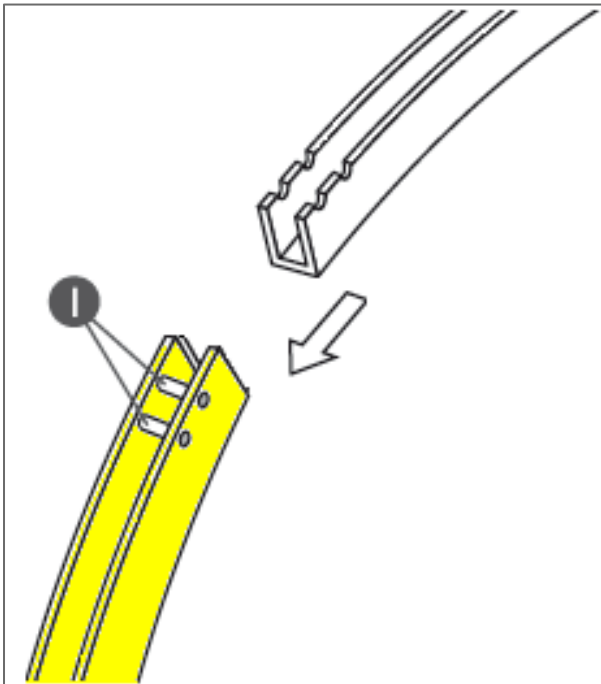
Collocate the reflector on the marble base (F).

Joint the medium channel to the long channel through the pins (I) according to the desired position.

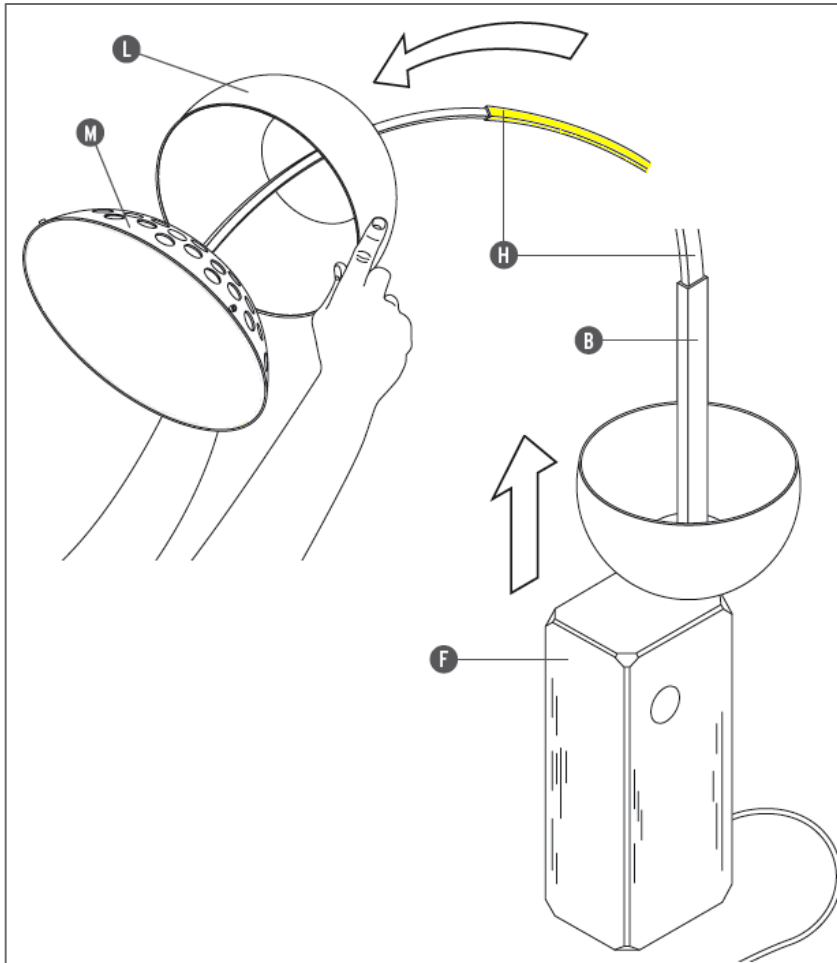




Insert the cable with the connector (O) underneath the pins (I) and slide it through the channel.



Joint the channel with grid to the medium channel through the pins (l).



Collocate the reflector (L) on the grid (M) by sliding it through the stem (B) and through the channels of the appliance.