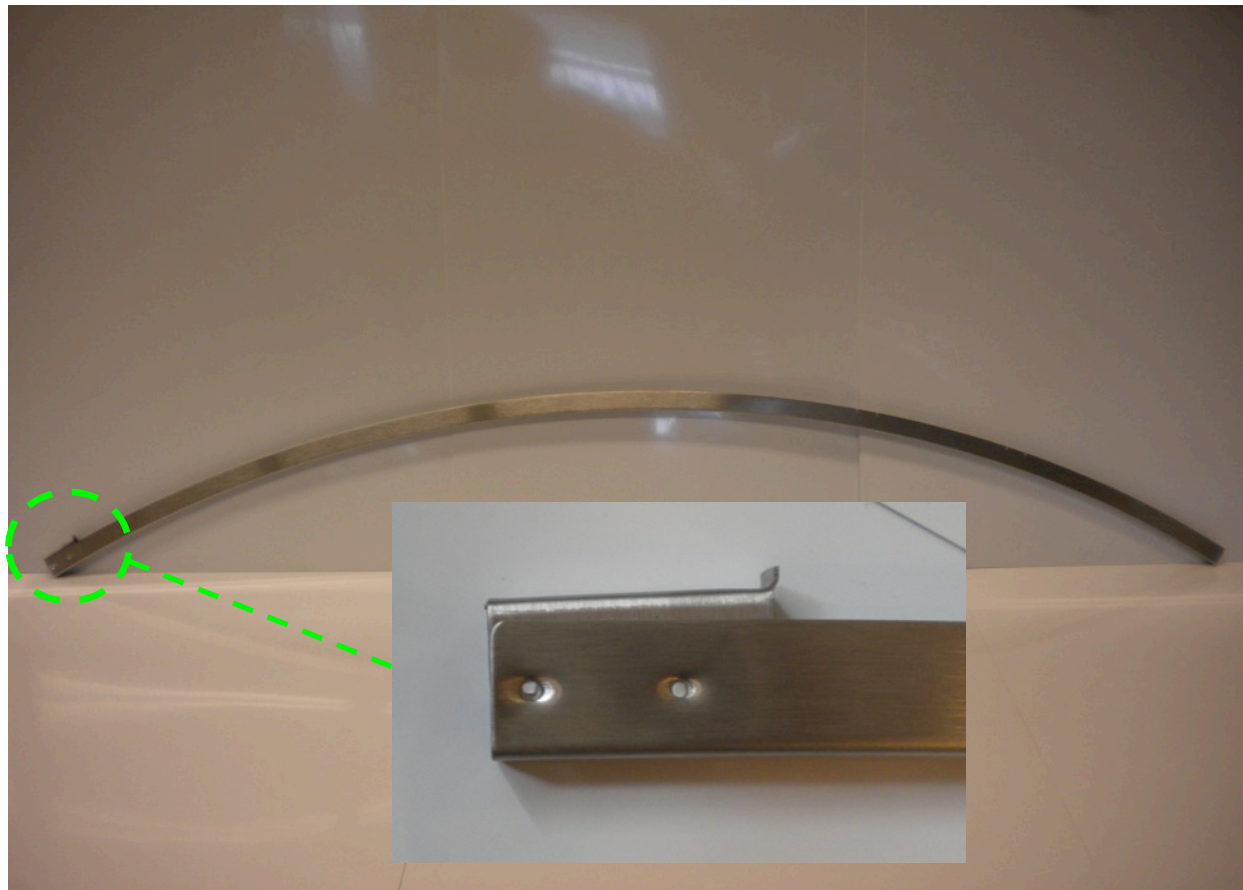
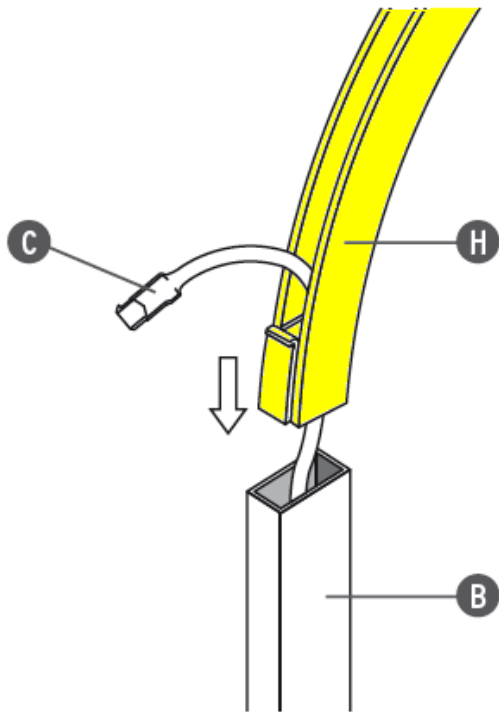
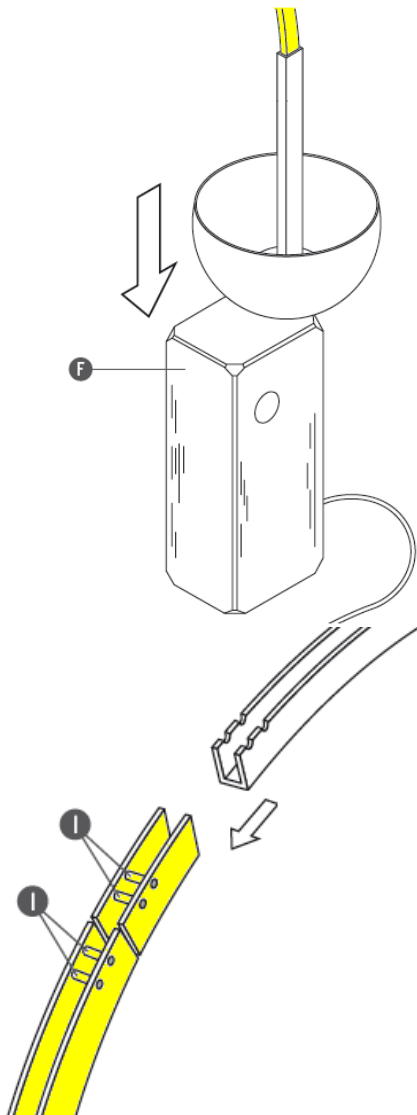

02970

LONG INOX CHANNEL



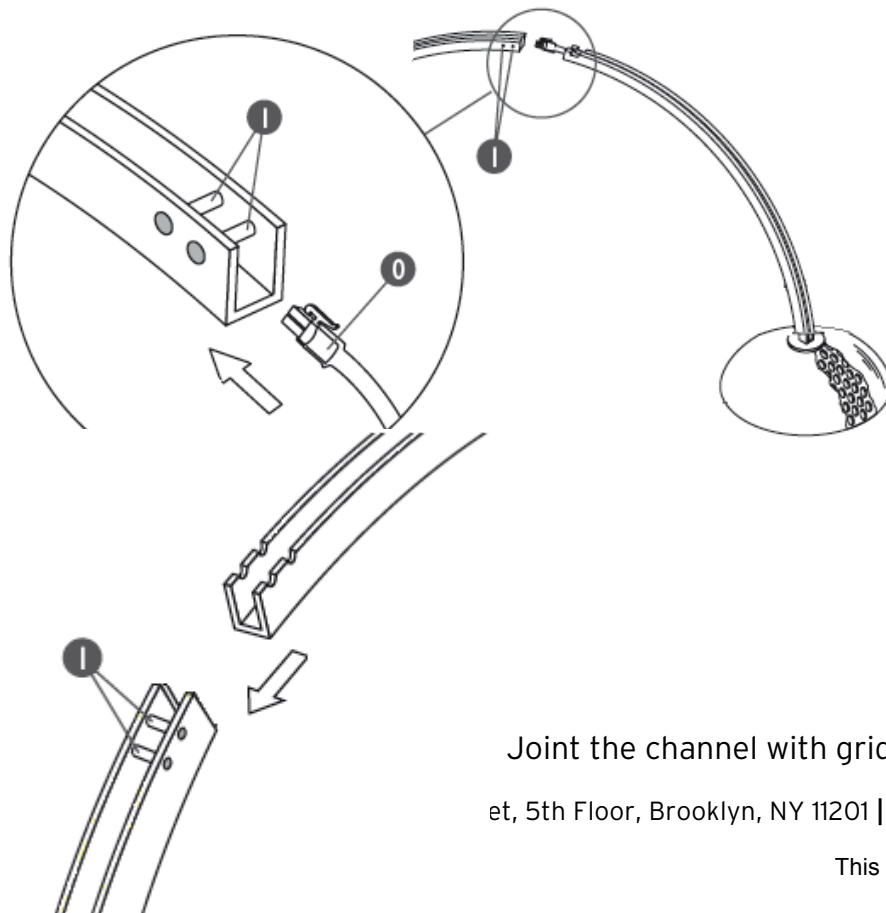


Insert the long channel (H) into the stem (B) ensuring to insert the cable with the connector (C) through the hole of the long channel (H).



Collocate the reflector on the marble base (F).

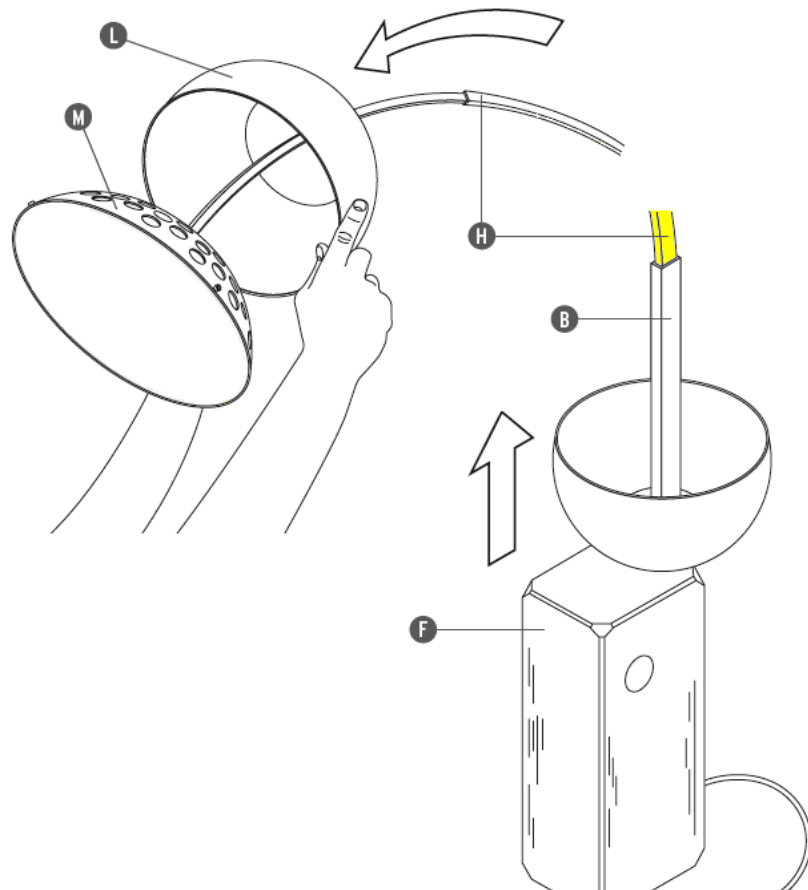
Joint the medium channel to the long channel through the pins (I) according to the desired position.



Insert the cable with the connector (O) underneath the pins (I) and slide it through the channel.

Join the channel with grid to the medium channel through the pins (I).

et, 5th Floor, Brooklyn, NY 11201 | Tel: 718-875-3472 | Email: e-shop@flosusa.com | <http://usa.flos.com>



Collocate the reflector (L) on the grid (M) by sliding it through the stem (B) and through the channels of the appliance.