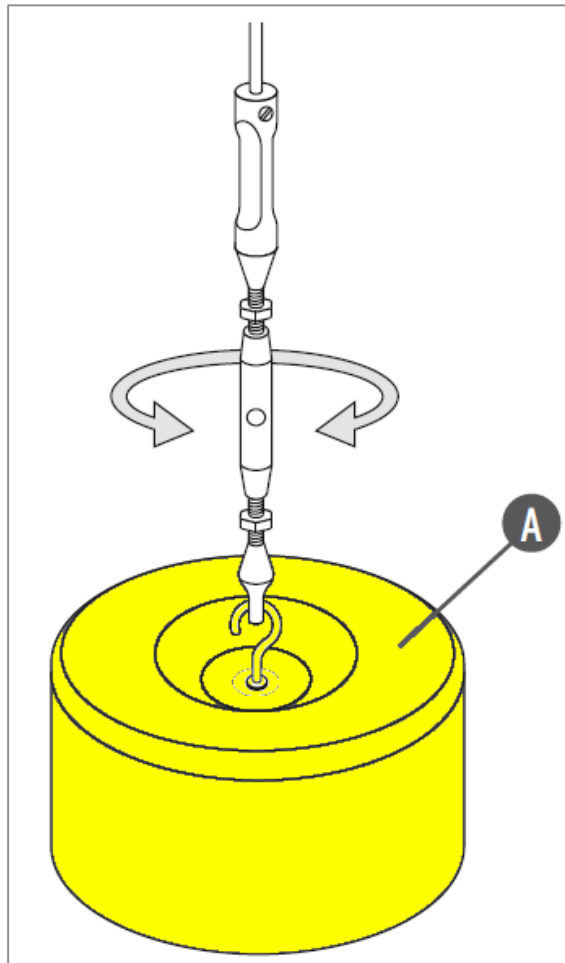

02094

COUNTERWEIGHT BASE WITH HOOK



WARNING! When installing and whenever acting on the appliance, ensure that the power supply has been switched off. FLOS recommends consulting with a qualified electrician when installing spare-parts.



Hook the turnbuckle to the counterweight (A).

Regulate the turnbuckle in a way that the counterweight almost touches the floor and then fasten the locking bolts.

Verify that the suspension wire is perpendicular.

WARNING! Lifting the counterweight will cause the loss of mechanical tension in the suspension wire, causing the tube and lamp support to fall over. Please exercise caution.