
REFLECTOR



WHITE **00784**



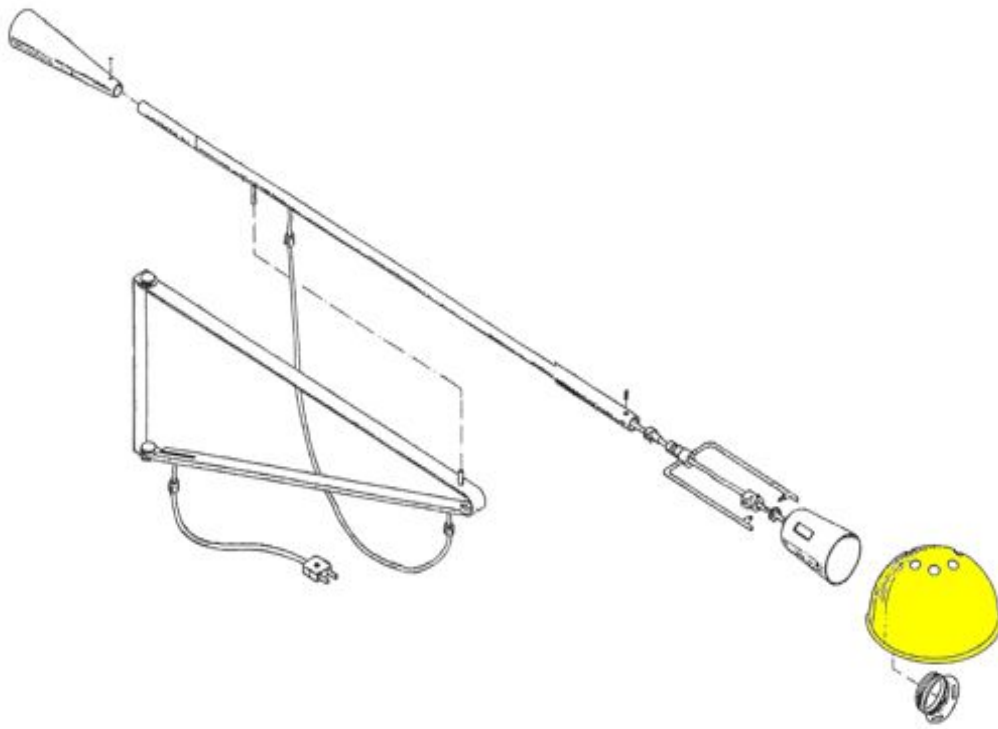
BLACK **00785**



GREY **10643**

WARNING! When installing and whenever acting on the appliance, ensure that the power supply has been switched off.

For the installation of the spare-part, it is necessary to consult a qualified electrician.



Assemble the reflector by positioning it on the support and then lock the nut by rotating it clockwise.

